

# RGE-GS 标准型

# RGE-GS Standard series

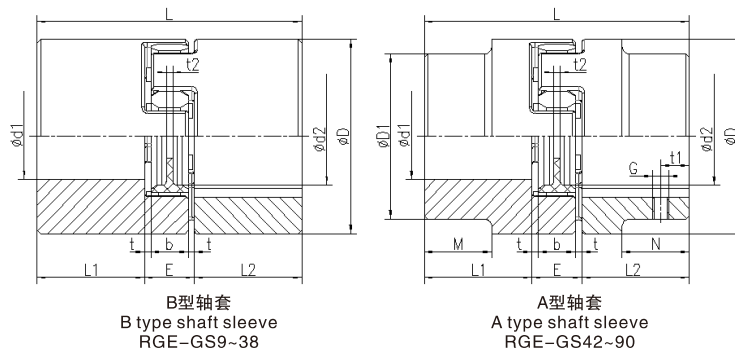
## 产品特点

- 无齿隙的连接，用于小扭矩的测量传动
- 尺寸小，转动惯量小
- 免维护，便于目测检查
- 不同的弹性体硬度选择
- 成品孔公差按照ISO标准H7（夹紧式轴套除外）孔径 $\Phi 6$ 以上按标准DIN6885/1，键槽宽JS9

## Characteristics:

Backlash-free connection, small torque for measuring equipment  
 Small size and small rotation inertia;  
 Free maintenance and easy for visual check;  
 Elastomer with different hardness for option;  
 Finished bore tolerance respects ISO H7, excluding clamping shaft sleeve, DIN6885/1 for bore diameter above  $\phi 6$ , JS9 for keyway.

轴套形式 Shaft sleeve types



RGE-GS标准型, 5~38规格轴套材质高强度铝合金, 42~90规格轴套材质钢 RGE-GS standard type, Size 5~38 in high-strength aluminum Alloy, Size 42~90 in Steel																
型号 Model RGE -GS	扭矩 Torque ( Nm )			外形尺寸 Dimensions(mm)											定位螺丝标准型结构 Positioning screw Standard type	
	92sh-A	98sh-A	64sh-D	d1 ( max )	D1	D	d2	L	L1;L2	M;N	E	b	t	t2	G	t1
9	3	5	6	11	-	20	7.2	30	10	-	10	8	1	1.5	M4	5
12	5	9	12	12	-	25	8.5	34	11	-	12	10	1	3.5	M4	5
14	7.5	12.5	16	16	-	30	10.5	35	11	-	13	10	1.5	2	M4	5
19	10	17	21	24	-	41	18	66	25	-	16	12	2	3	M5	10
24	35	60	75	28	-	56	27	78	30	-	18	14	2	3	M5	10
28	95	160	200	38	-	66	30	90	35	-	20	15	2.5	4	M8	15
38	190	325	405	45	-	80	38	114	45	-	24	18	3	4	M8	15
42	265	450	560	55	85	95	46	126	50	28	26	20	3	4	M8	20
48	310	525	655	62	95	105	51	140	56	32	28	21	3.5	4	M8	20
55	410	685	825	74	110	120	60	160	65	37	30	22	4	4.5	M10	20
65	-	940	1175	80	115	135	68	185	75	47	35	26	4.5	4.5	M10	20
75	-	1920	2400	95	135	160	80	210	85	53	40	30	5	5	M10	25
90	-	3600	4500	110	160	200	104	245	100	62	45	34	5.5	6.5	M12	30

选型举例: Example: RGE-GS38-24B-24B-98-S-BL-J

RGE-GS38	24	A/B	24	A/B	98	S	BL	J
产品规格 Product specifications	孔径 Bore diameter	轴套形式 Shaft sleeve type	孔径 Hole diameter	轴套形式 Shaft sleeve type	弹性体硬度 Elastomer hardness	材料 Material	发黑 Black	键 Key