

RGE-GS 胀紧套型 (铝)

RGE-GS Locking Device Type (AL)

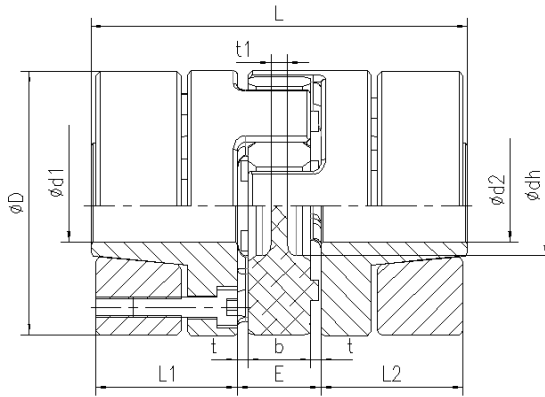
产品特点

- 无齿隙、高精度的胀紧套一体化设计
- 如可使用在主轴传动，机床驱动和搬运设备等场合
- 高强度铝合金轴套，重量轻，转动惯量小
- 胀紧套一体化和内侧胀紧套螺栓使安装方便
- 摩擦力矩大



Characteristics:

Zero Backlash, Integrated design with high precision;
 Applied to spindle of machining tools and material handling equipment, etc..
 Designed by high strength Aluminum Alloy, Light and small moment of inertia;
 Integrated expansion sleeve and easy mounting by inner expansion and shrinking;
 Big friction torque



RGE-GS-ZT-AL 铝质胀紧式轴套，轴套与胀紧环材料高强度铝合金 RGE-GS-ZT-AL Aluminum locking shaft sleeve, the shaft sleeve and the guide roll are made of high-strength aluminum alloy																	
型号 Model RGE- GS-ZT-AL	扭矩 (Nm)			尺寸(mm)								胀紧螺栓			最大孔径时 单个轴套 的重量 (kg)	最大孔径时 单个轴套的 转动惯量 (kg m ²)	
	92sh-A	98sh-A	64sh-D	d1 (min-max)	D	dh	L	L1:L2	E	b	t1	M	螺栓数 量Z	TA (Nm)			M1
14	7.5	12.5	16	6-14	30	10.5	50	18.5	13	10	2	M3	4	1.34	M3	0.032	0.04 × 10 ⁻⁴
19	10	17	21	10-20	41	18	66	25	16	12	3	M4	6	3	M4	0.077	0.19 × 10 ⁻⁴
24	35	60	75	14-28	56	27	78	30	18	14	3	M5	4	6	M5	0.162	0.78 × 10 ⁻⁴
28	95	160	200	15-38	66	30	90	35	20	15	4	M5	8	6	M5	0.24	1.70 × 10 ⁻⁴
38	190	325	405	20-45	80	38	114	45	24	18	4	M6	8	10	M6	0.49	5.17 × 10 ⁻⁴
42	265	450	560	25-50	95	46	126	50	26	20	4	M8	4	25	M8	0.772	11.17 × 10 ⁻⁴
48	310	525	655	30-55	105	51	140	56	28	21	4	M10	4	49	M10	1.066	18.81 × 10 ⁻⁴

注：M1为拆卸螺纹，位于胀紧螺栓之间

Note: M1 stands for removing thread, which is between the expansion screws.

选型举例：Example: RGE-GS28-ZT-20-24-98-AL

RGE-GS28	ZT	20	24	98	AL
产品规格 Product specifications	结构形式 Structural style	孔径 Bore diameter	孔径 Hole diameter	弹性体硬度 Elastomer hardness	材料 Material